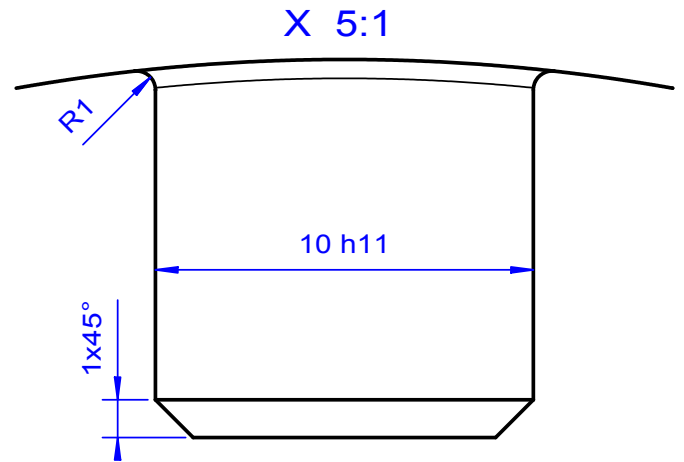
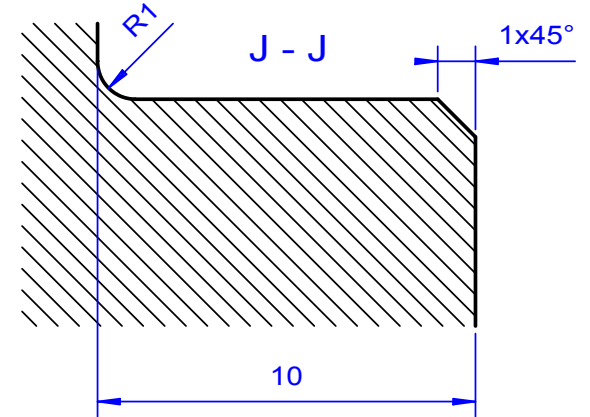
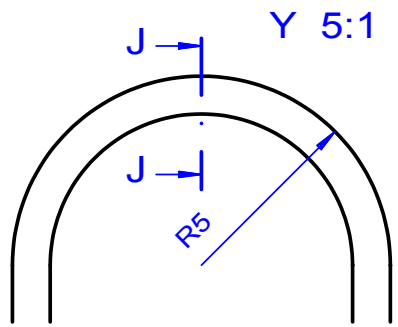
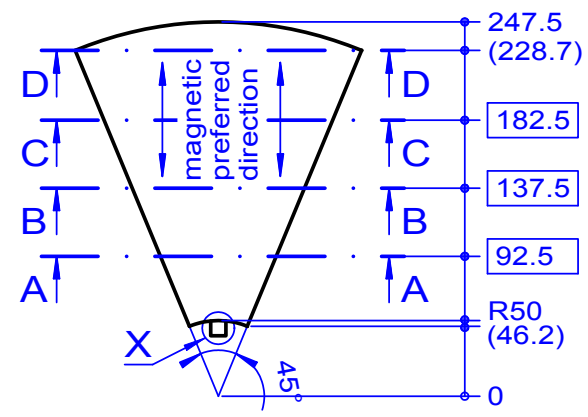
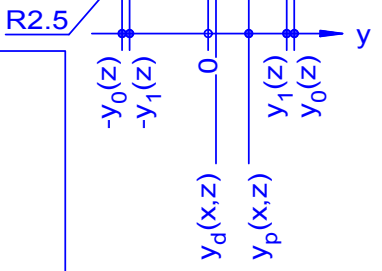


Blade profile:
 $y_p(x,z)$
 $y_d(x,z)$
 $y_0(z)$
 $y_1(z)$
 $x_1(z)$
 see coordinate table
 on sheet 2
 Blade volume ca. 1030 cm³



Owner of rights Max Blatter, dipl. Ing. ETH			General tolerances: ISO 2766-mK		Scale 1:5 (5:1)	Weight ca. 7.4 kg
					Material Casting Alloy AlNiCo 52/6 a (ThyssenKrupp)	
			Date	Name	Title Generbine Runner blade	
			Draw	13-03-11	M.BI.	
			Check	13-03-11	M.BI.	
			Release Date (YY-MM-DD):		Drawing No.	
Irrelevant changes			16-01-11	M.BI.	16-01-11	
Indication of weight			13-06-02	M.BI.	G00-001-01	
Change			Date	Na.	Replaces:	
					Repl. by:	
					Sheet	1
					2 Sh	